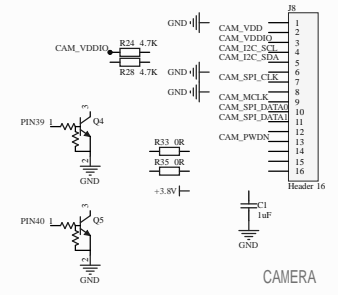
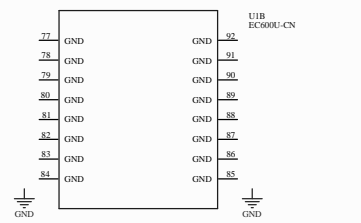
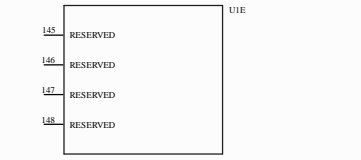
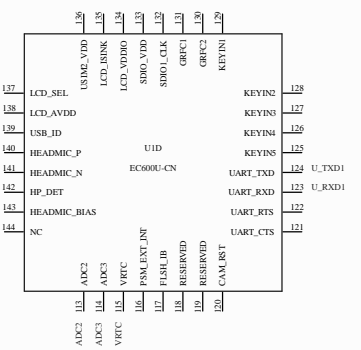
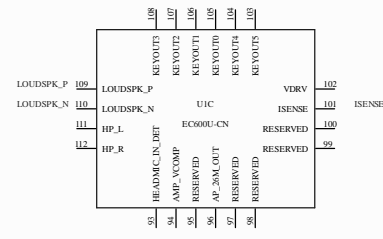
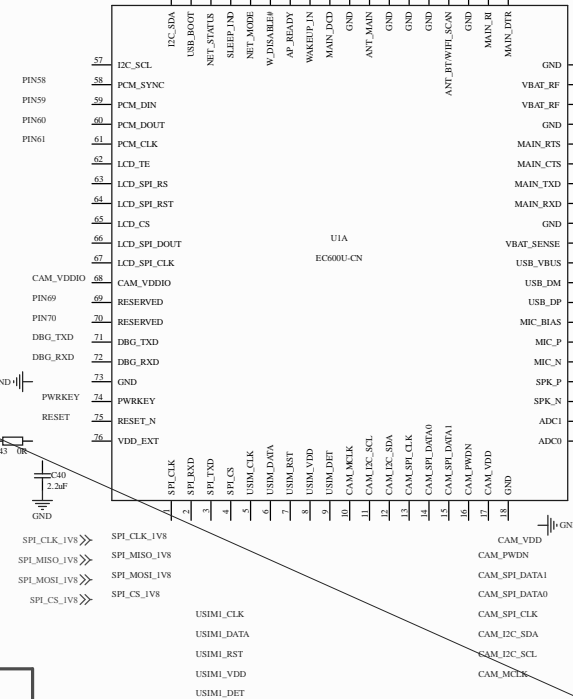
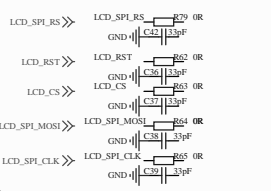
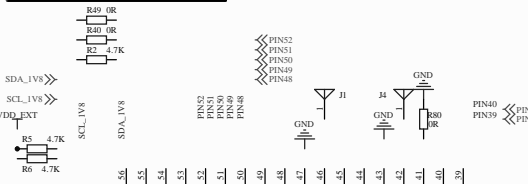
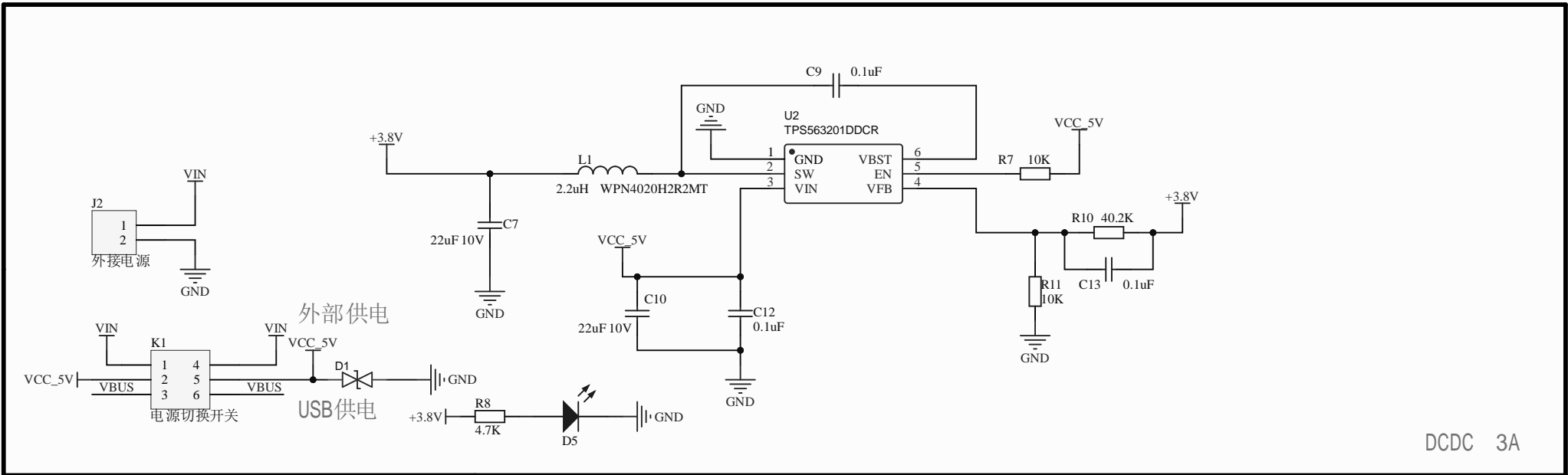


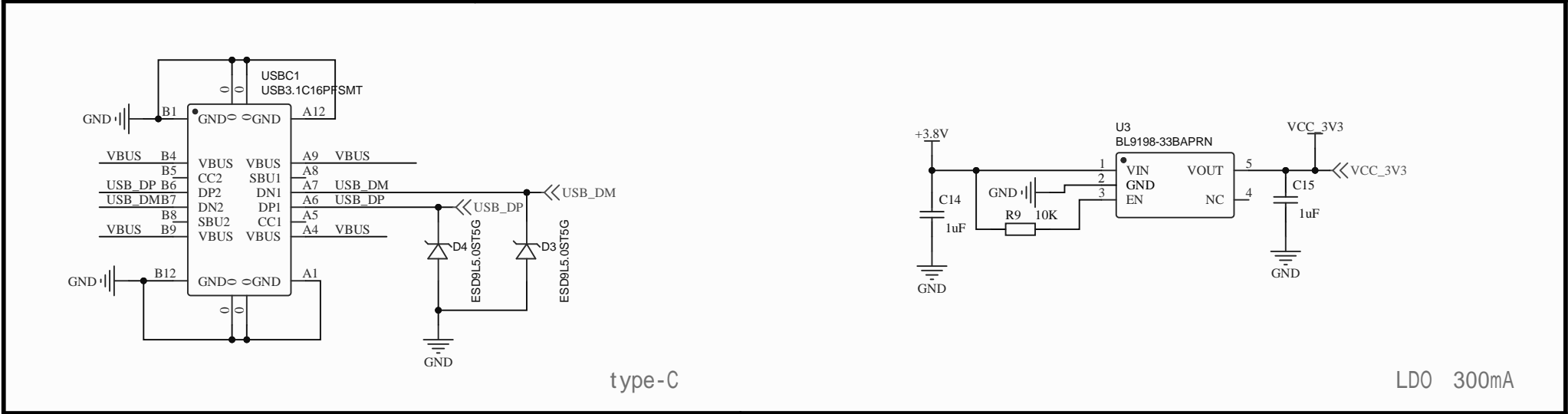
EC600U/G贴片R43
EC600N/M贴片R40



EC600U/G焊R70、R73、R85、R86
EC600N/M焊R71、R72、R87、R88



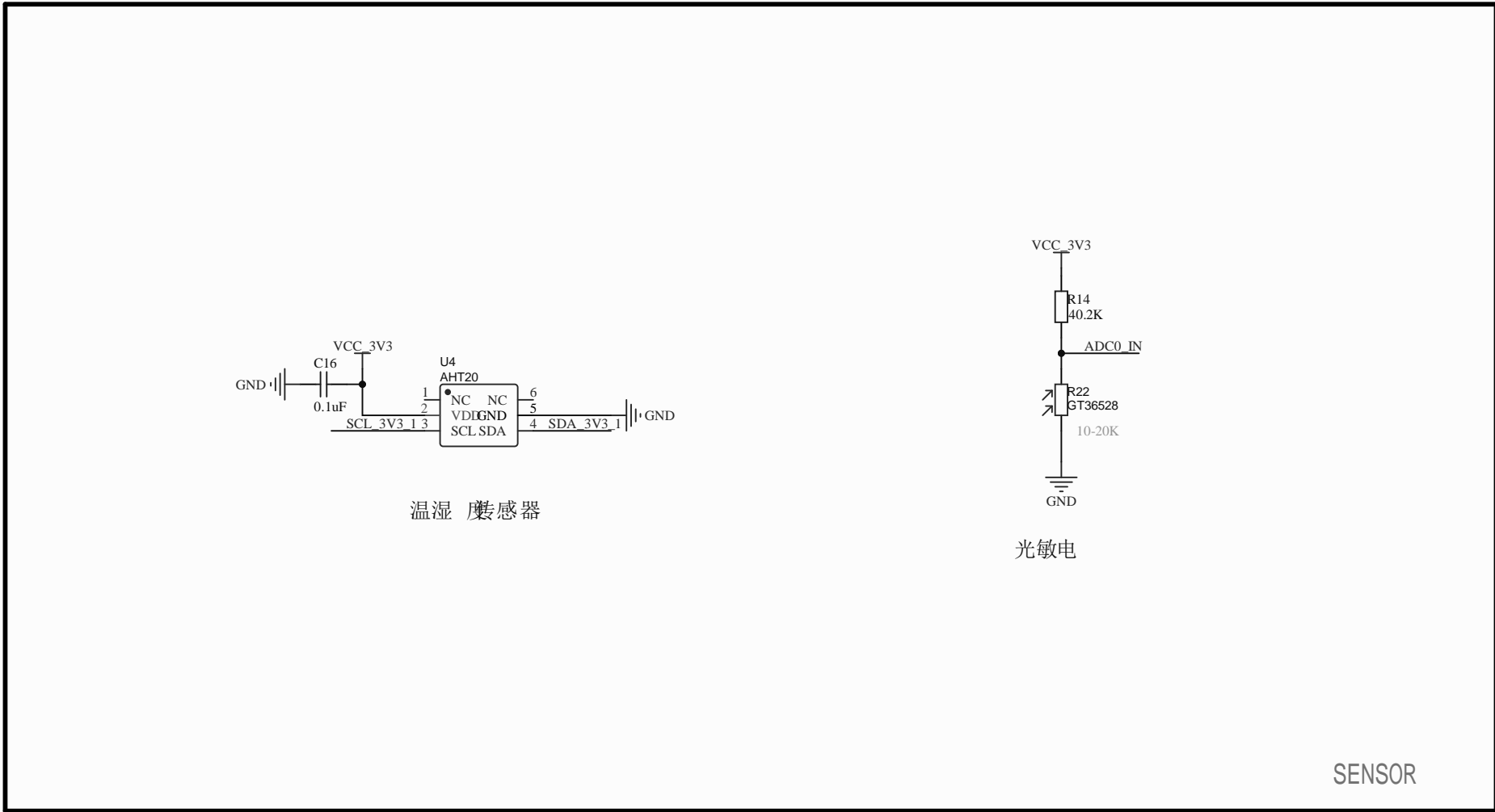
DCDC 3A



type-C

LDO 300mA

Title		
Size	Number	Revision
A4		
Date:	3-31-2023	Sheet of
File:	G:\项目\...\2.POWER.SchDoc	Drawn By:

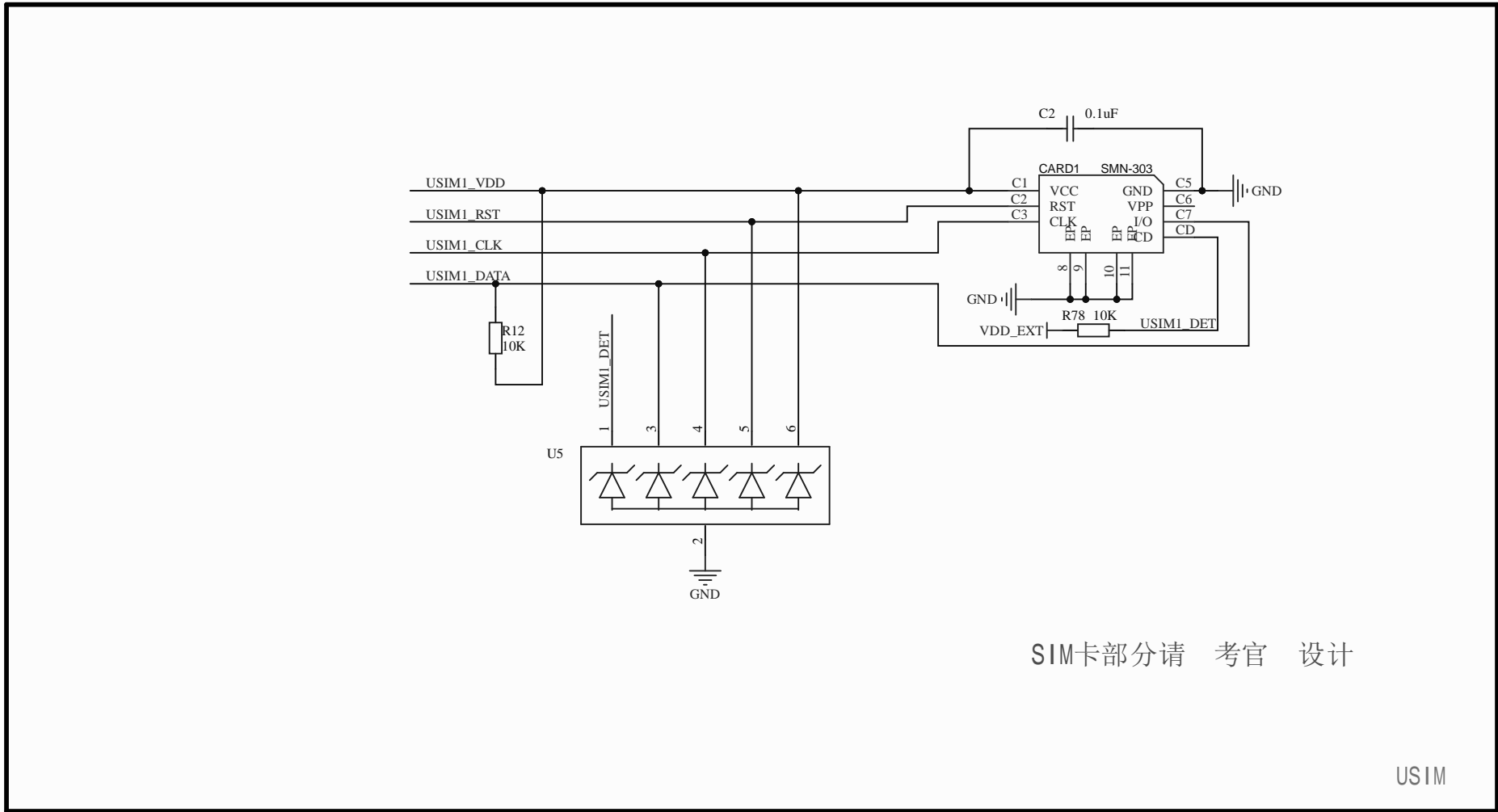


温湿度传感器

光敏电

SENSOR

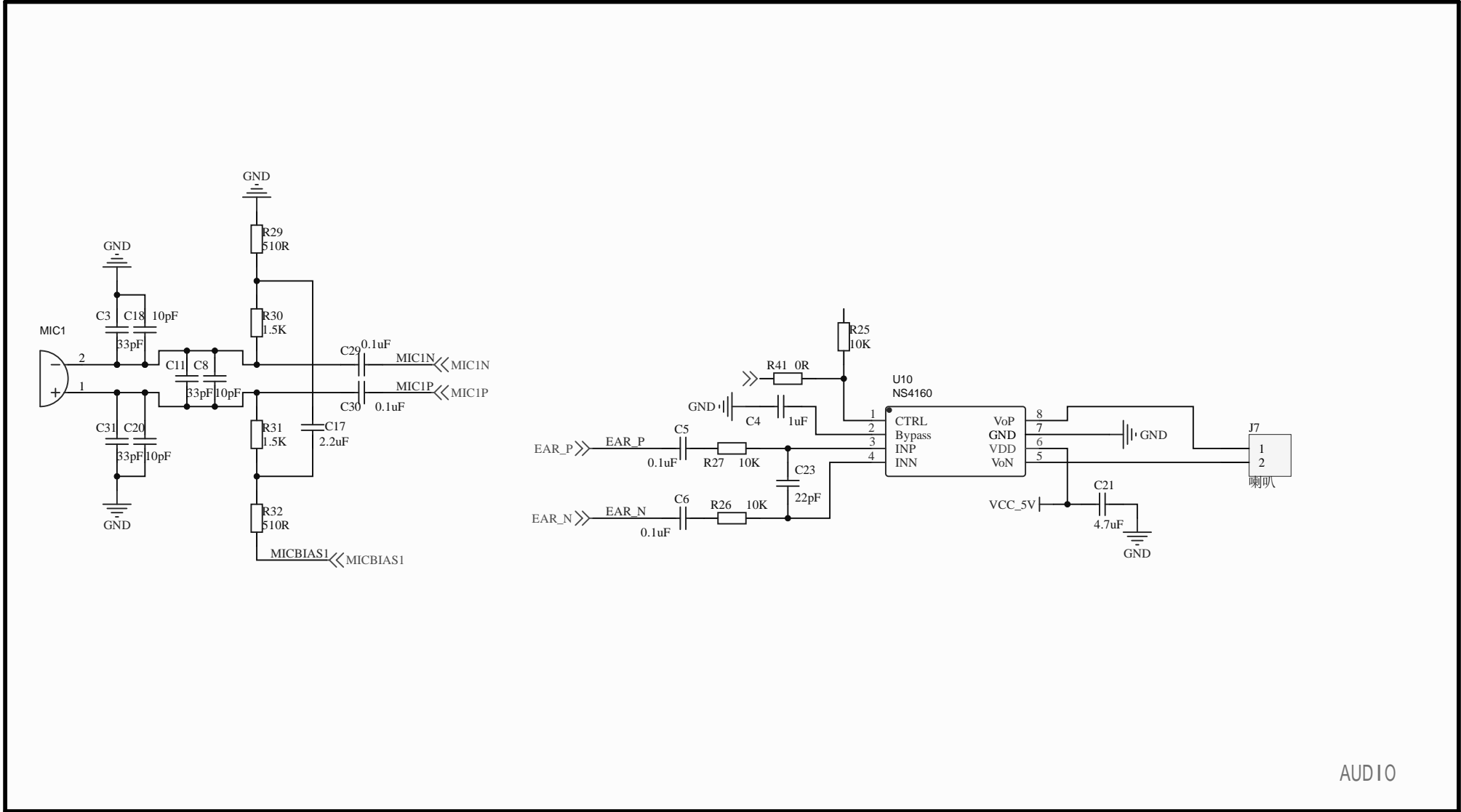
Title		
Size	Number	Revision
A4		
Date:	3-31-2023	Sheet of
File:	G:\项目 \..\3.SENSOR+EEPROM.SchDoc Drawn By:	



SIM卡部分请 考官 设计

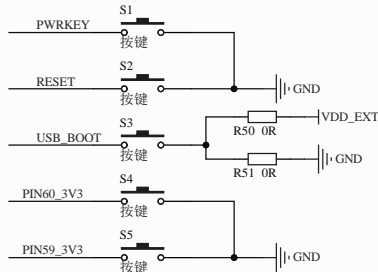
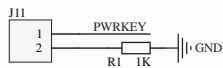
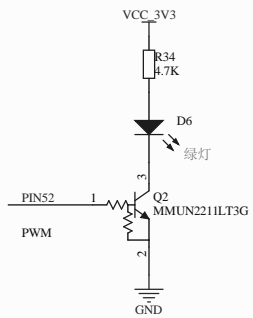
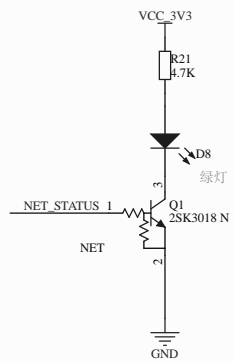
USIM

Title		
Size A4	Number	Revision
Date:	3-31-2023	Sheet of
File:	G:\项目\...\4.SIM-CARD.SchDoc	Drawn By:

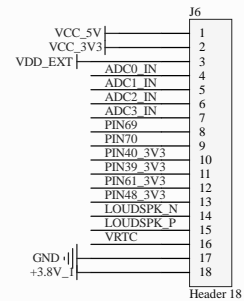
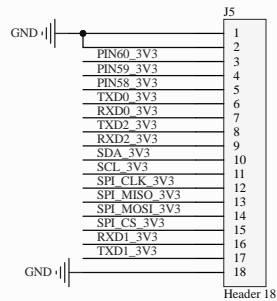
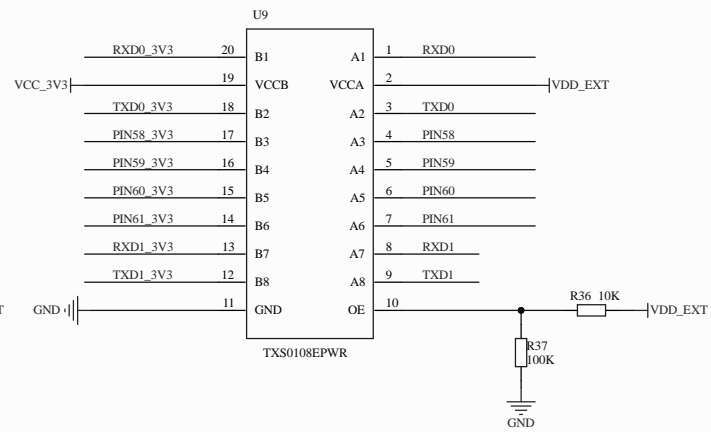
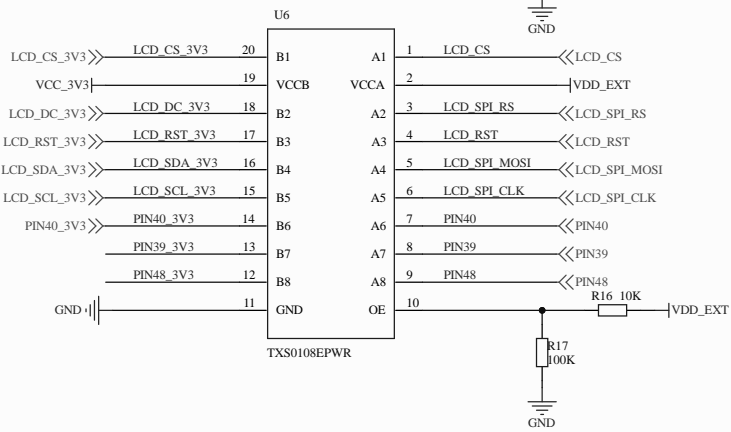
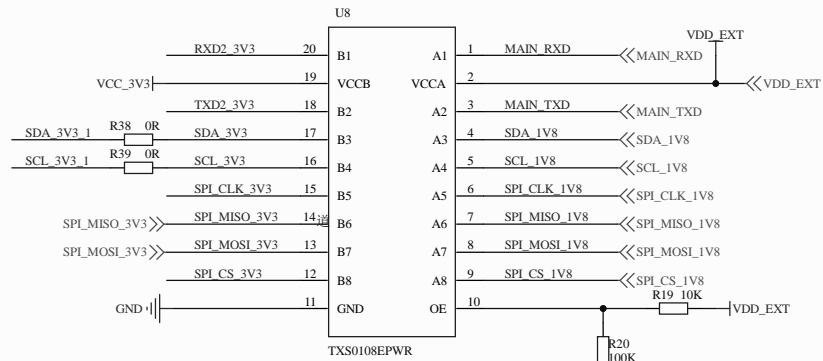


AUDIO

Title		
Size	Number	Revision
A4		
Date:	3-31-2023	Sheet of
File:	G:\项目\...\5.AUDIO.SchDoc	Drawn By:

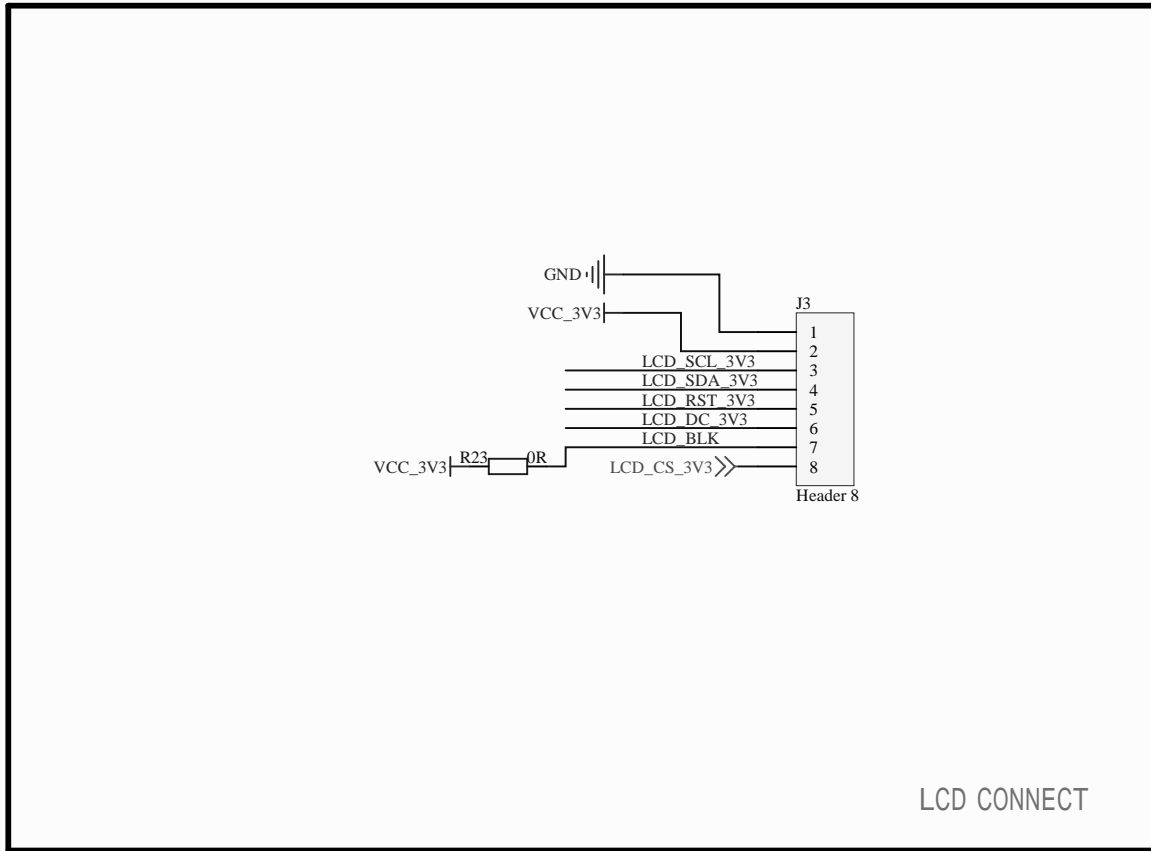


EC600U/G贴片R50
EC600N/M贴片R51



GPIO

Title		
Size	Number	Revision
A3		
Date:	3-31-2023	Sheet of
File:	G:\项目1\6.GPIO+UART.SchDoc	Drawn By:



LCD CONNECT

Title		
Size A4	Number	Revision
Date:	3-31-2023	Sheet of
File:	G:\项目\...\7.LCM.SchDoc	Drawn By: