

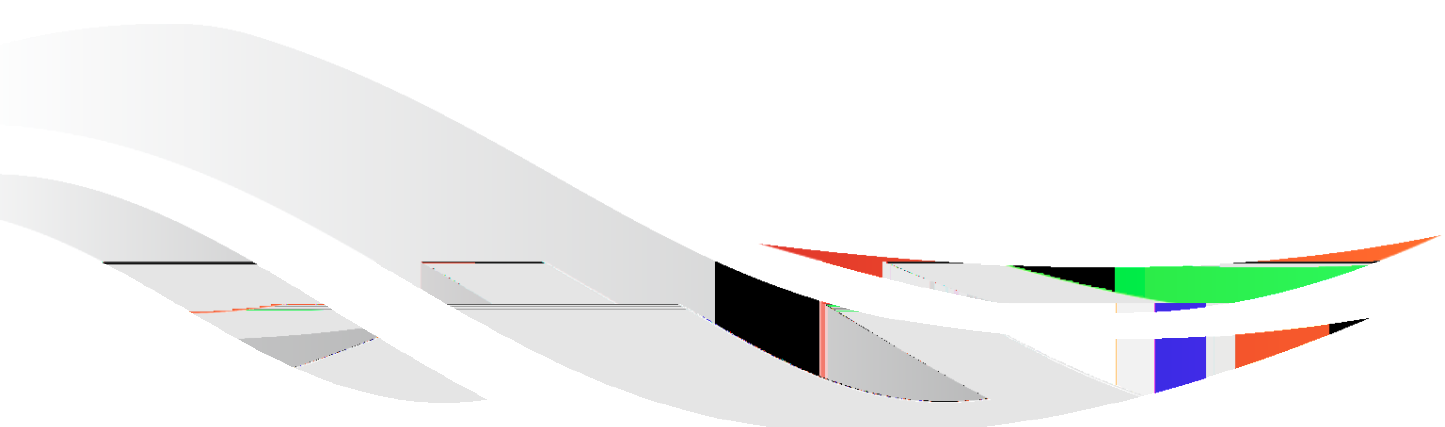


EVB_EC600X、EC800X

Quectel_EVB_EC600X、E800X

_V3.2

2021-11-07



1016
+86 21 51086236

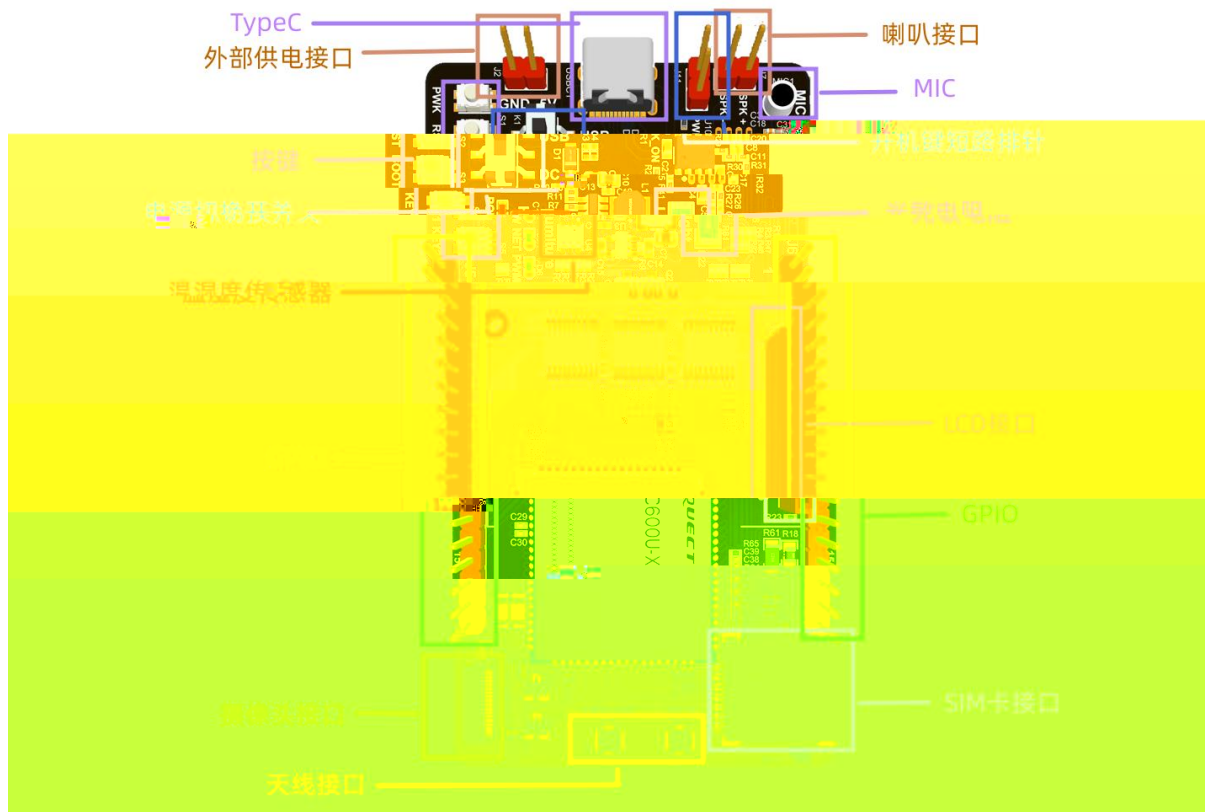
3 B 5
info@quectel.com

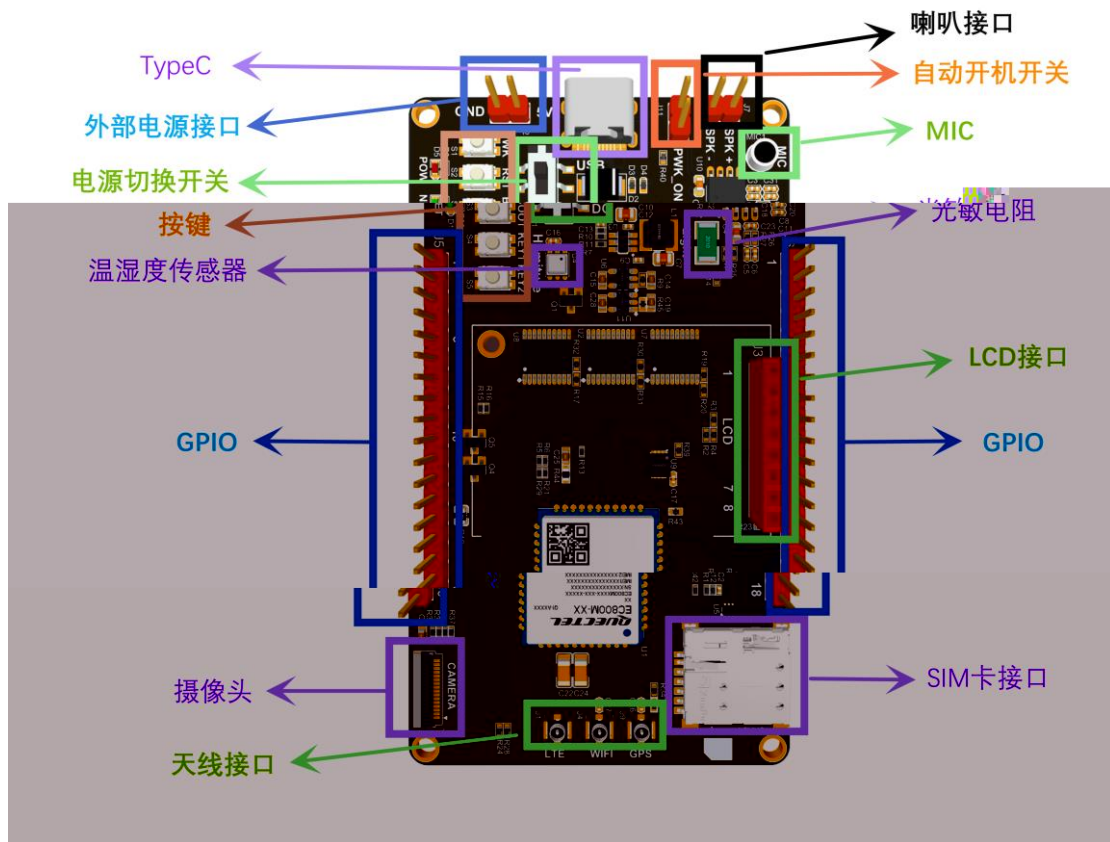
200233

<http://www.quectel.com/cn/support/sales.htm>

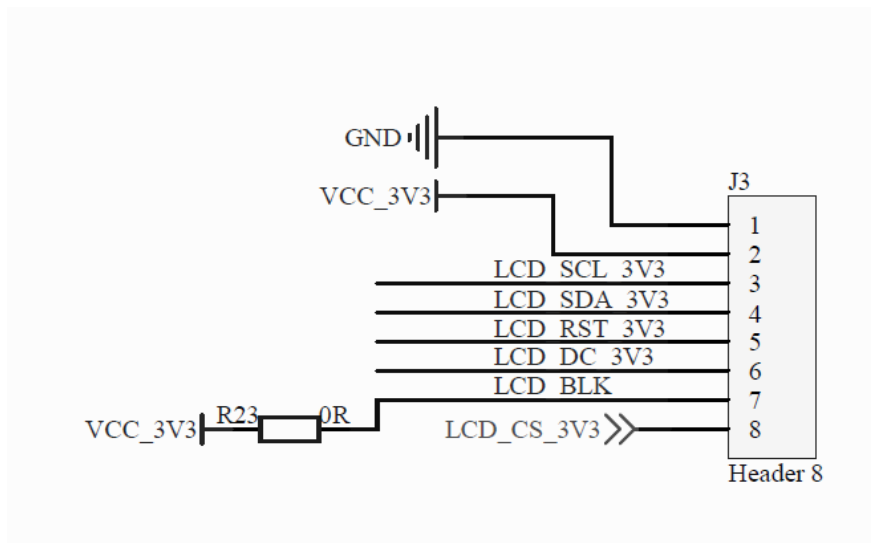
<http://www.quectel.com/cn/support/technical.htm>

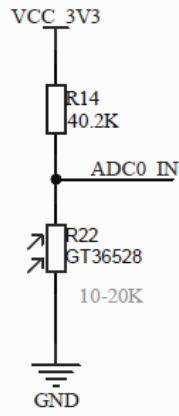
EC600X— EC600 EC600N EC600U EC600M
EC800X— EC800 EC800M EC800E
EVB—
V3.X--





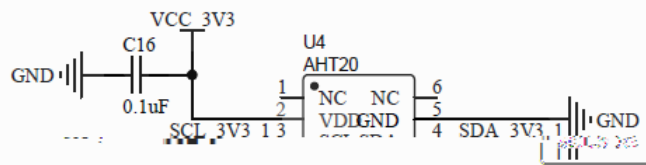
序号	名称	型号	是否支持	接口类型

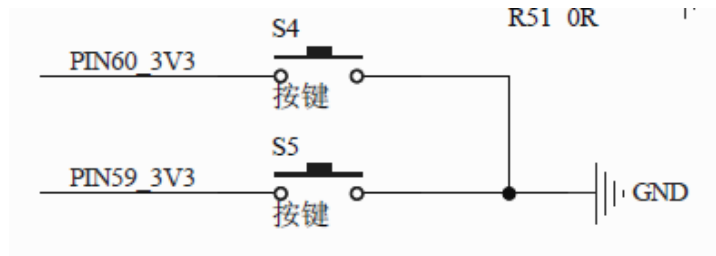
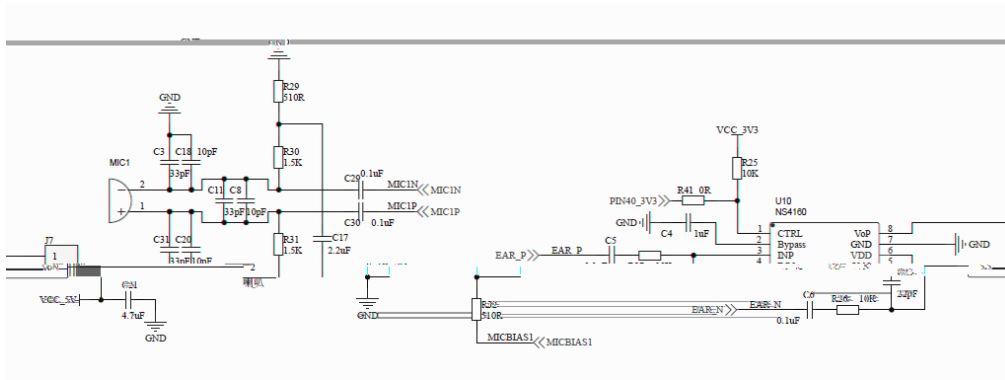




光敏电阻

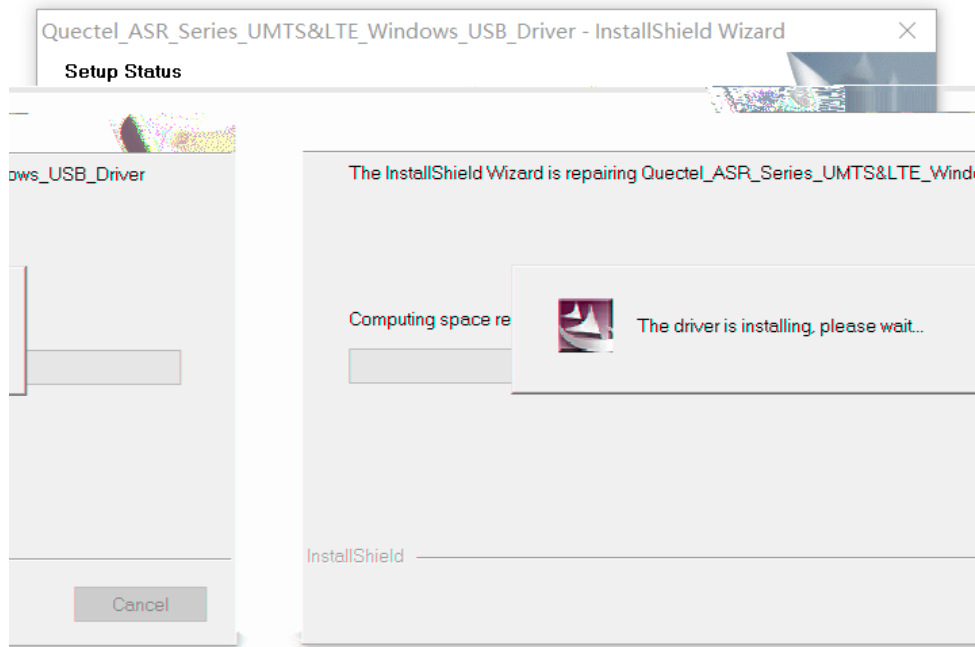
请注意





开发板	开机操作

setup.exe

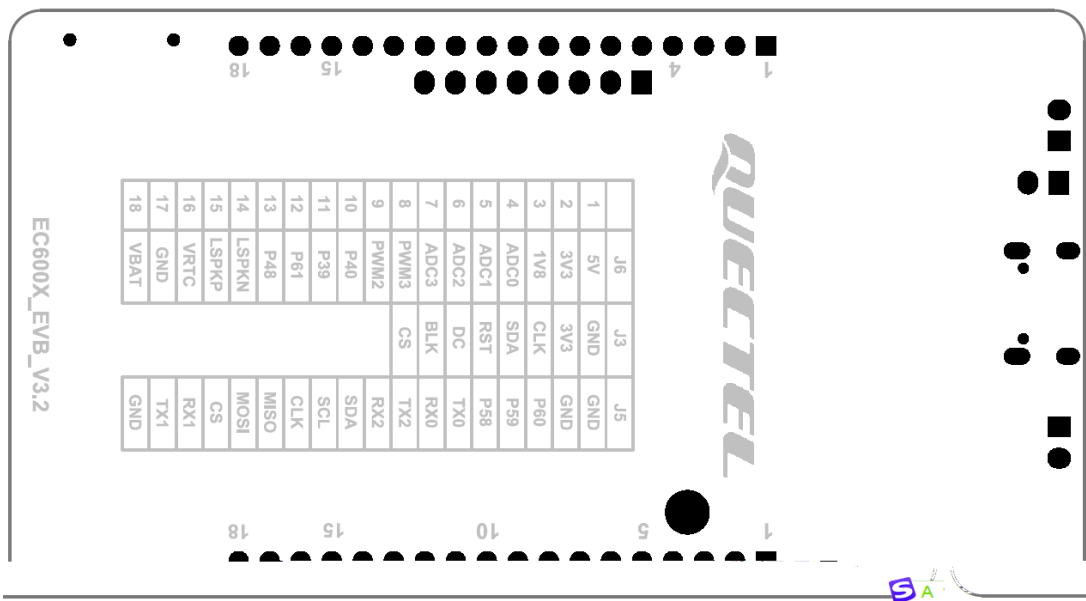
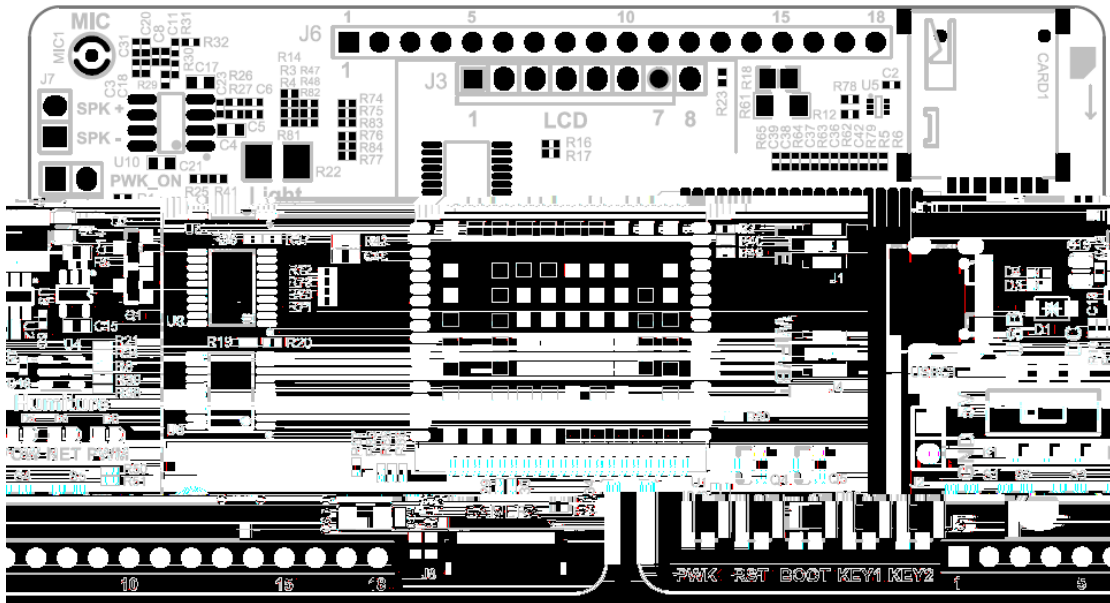


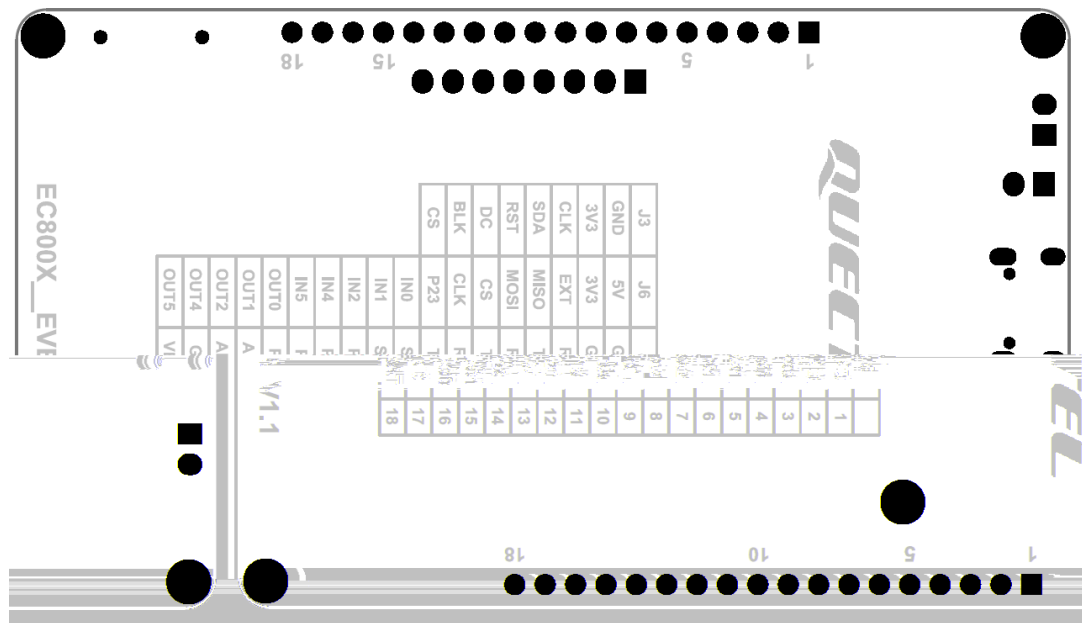
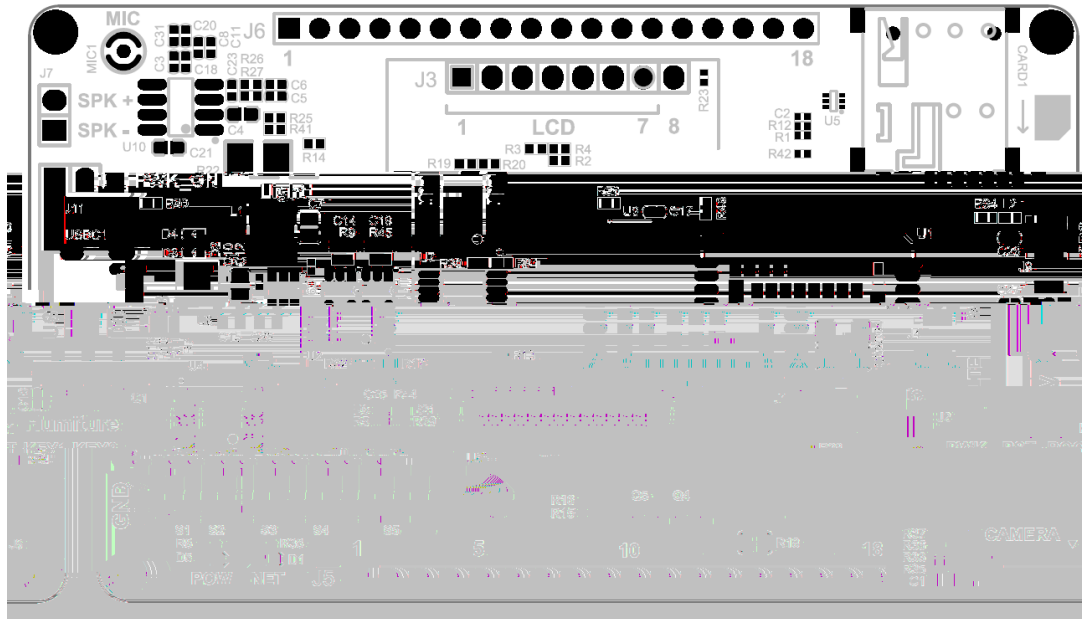
- Quectel USB AT Port (COMx)
- Quectel USB AP Log Port (COMx)
- Quectel USB CP Log Port (COMx)
- Quectel USB Diag Port (COMx)
- Quectel USB MOS Port (COMx)
- Quectel Modem (COMx)
- Quectel USB Serial-1 Port (COMx)
- Quectel USB Serial-2 Port (COMx)

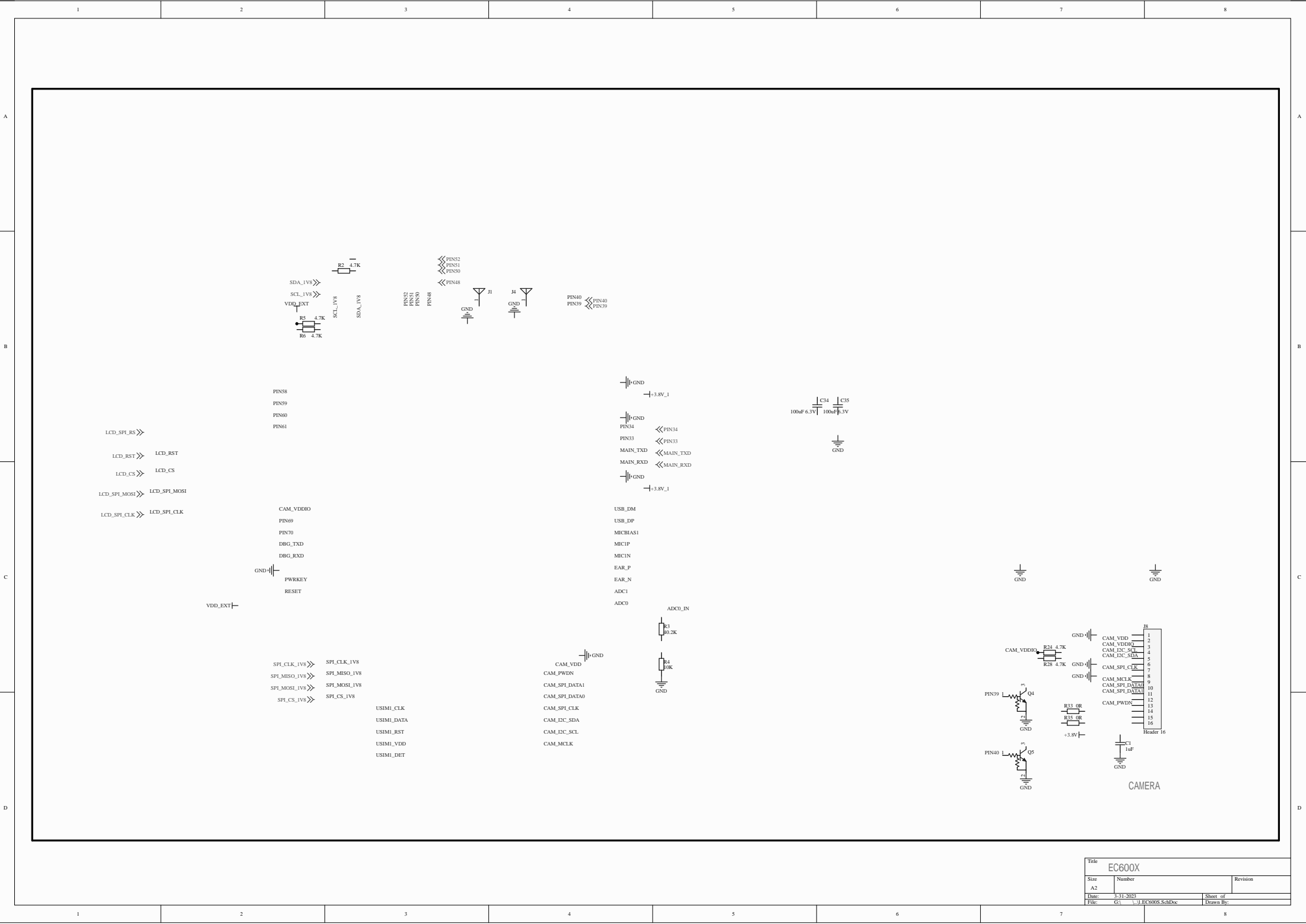
小提示



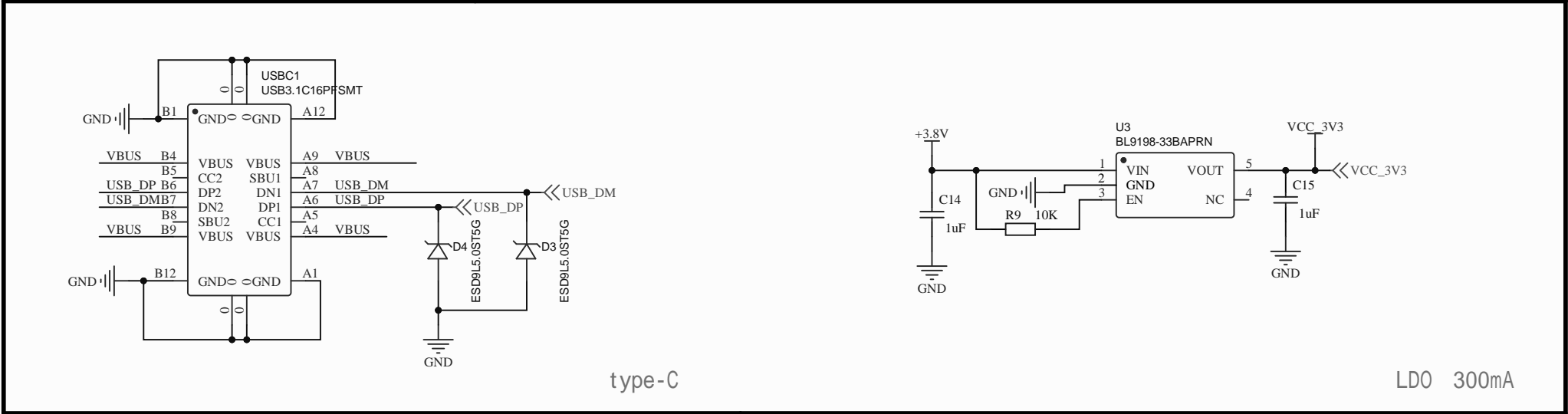
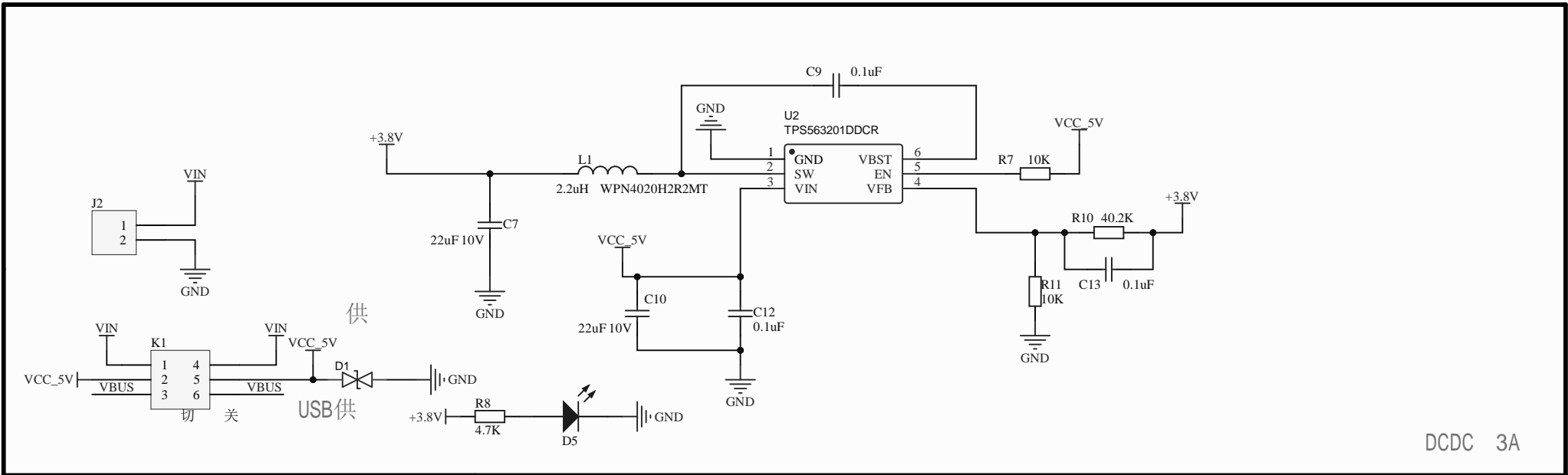




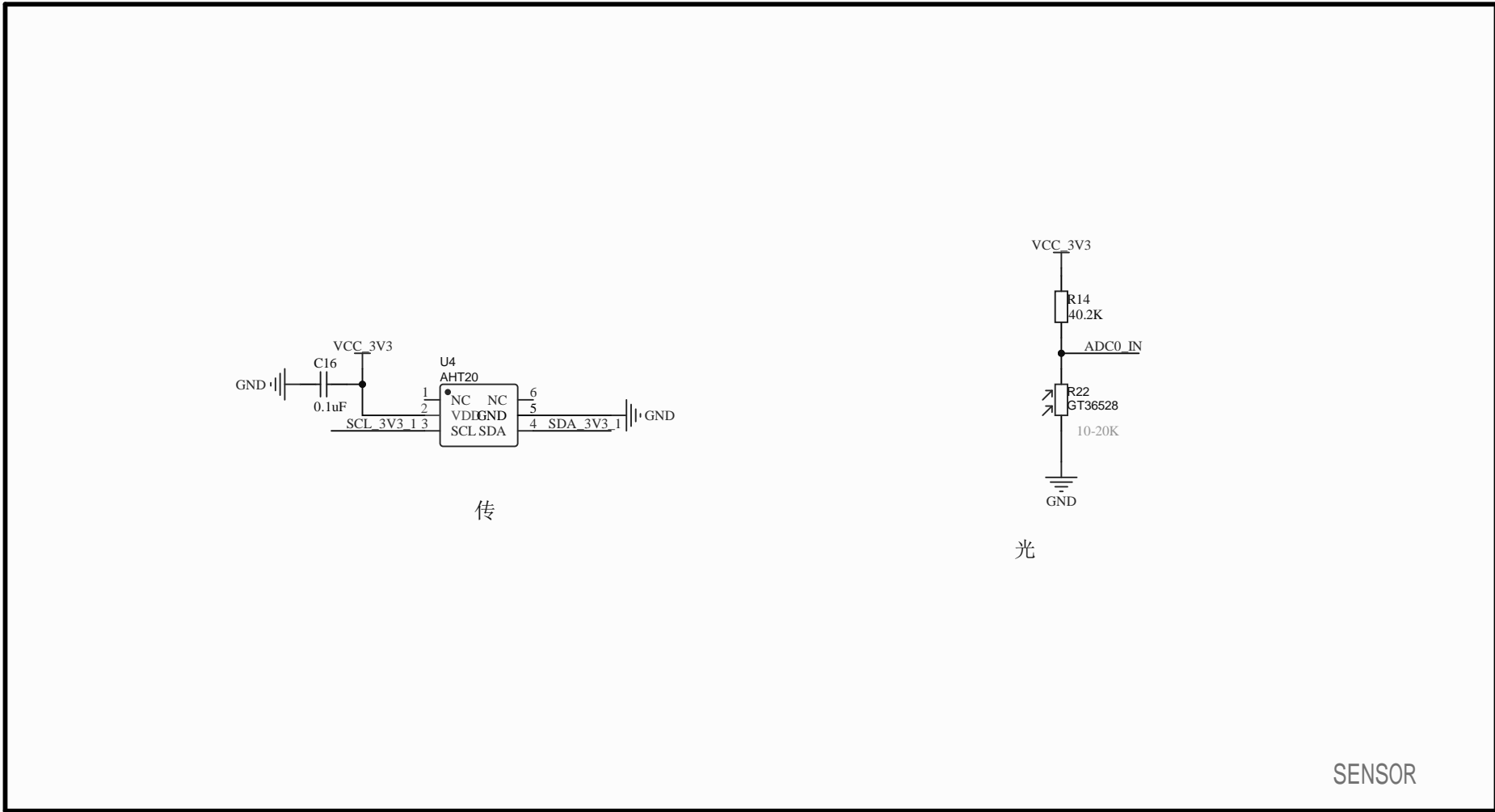




Title		EC600X	
Size	Number	Revision	
A2			
Date	3-31-2023	Sheet of	
File	G:_1\EC600S.SchDoc	Drawn By:	



Title		
Size A4	Number	Revision
Date:	3-31-2023	Sheet of
File:	G:\...\2.POWER.SchDoc	Drawn By:

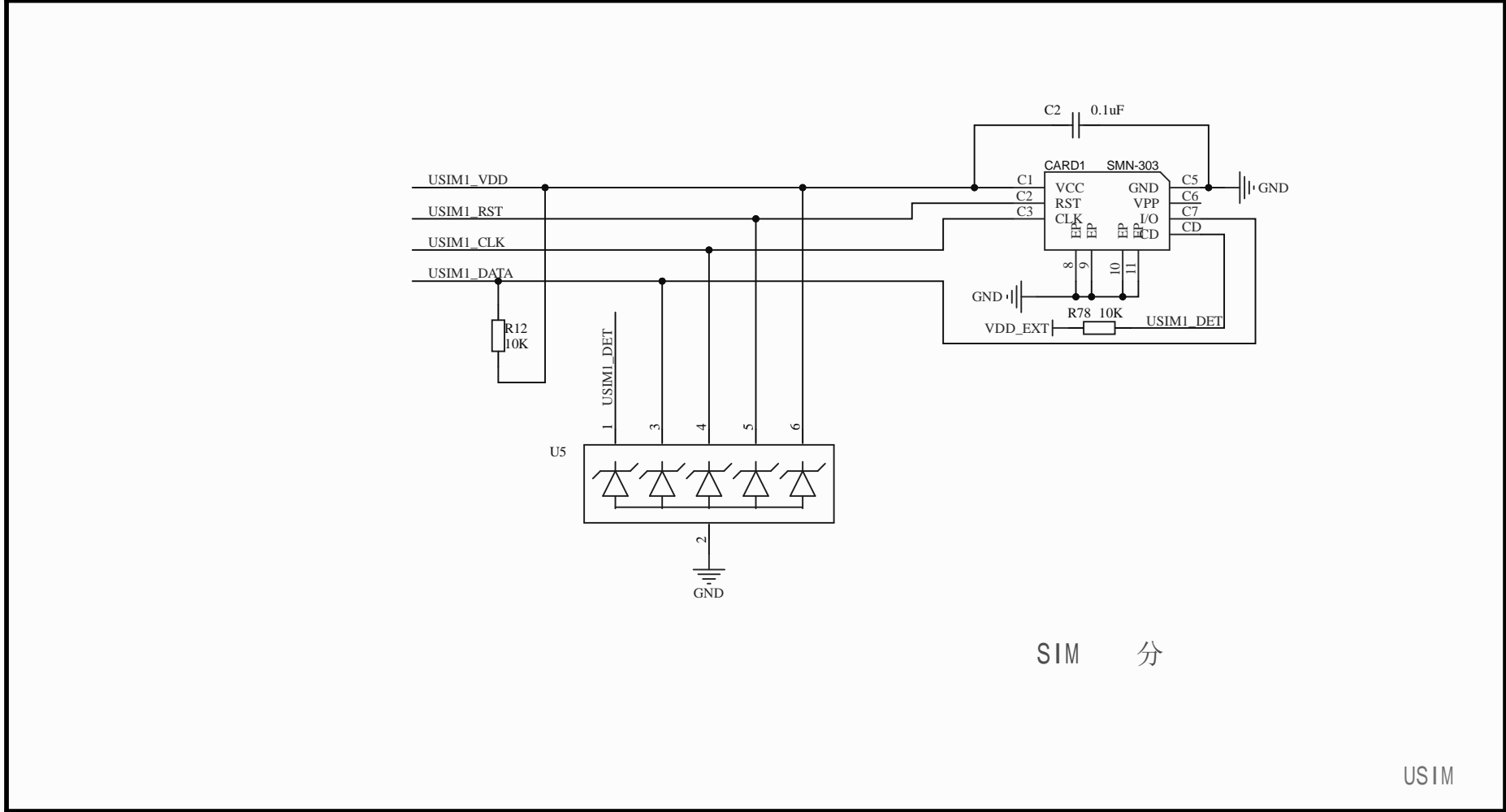


传

光

SENSOR

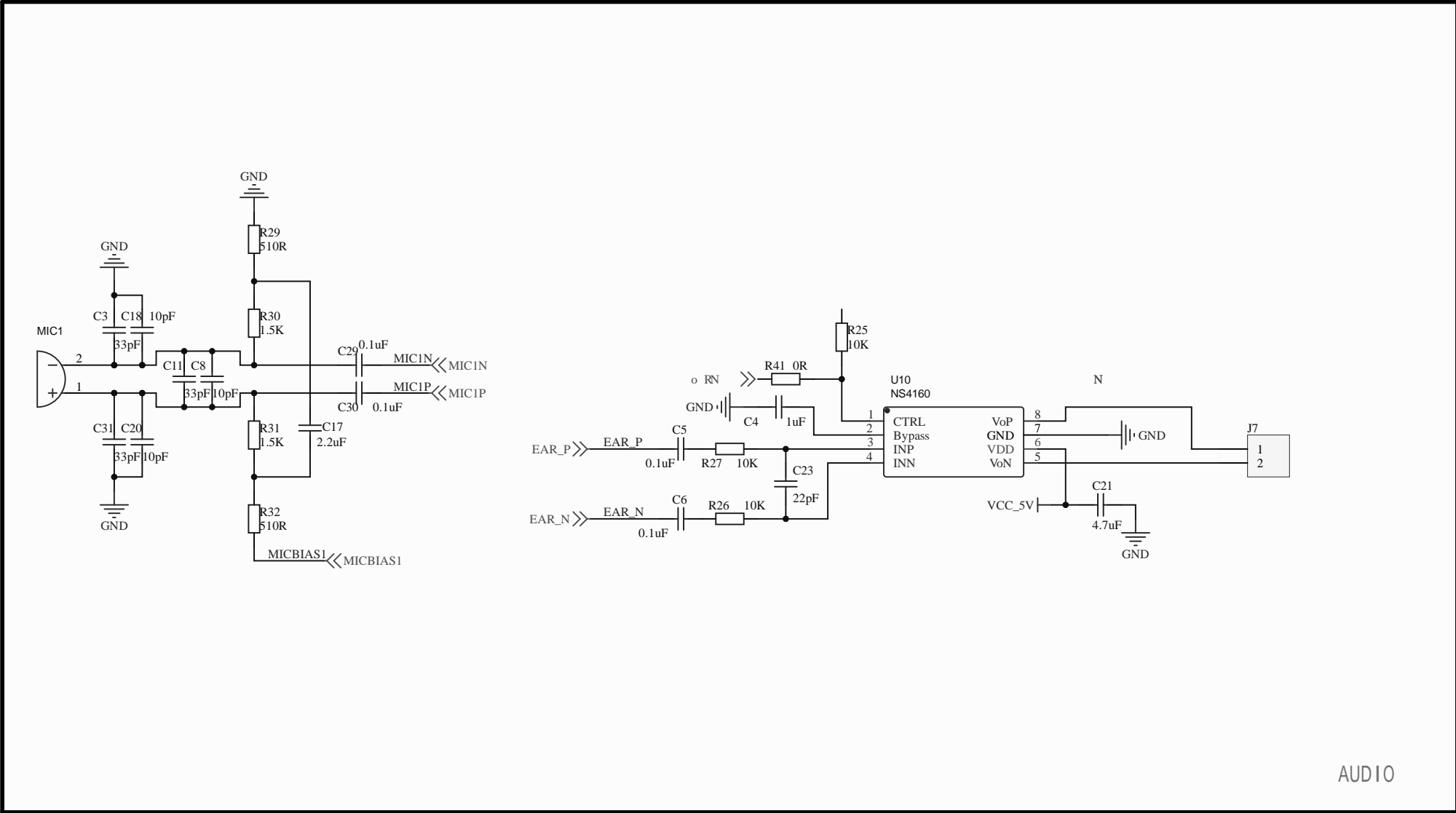
Title		
Size	Number	Revision
A4		
Date:	3-31-2023	Sheet of
File:	G:\...\3.SENSOR+EEPROM.SchDoc Drawn By:	



SIM 分

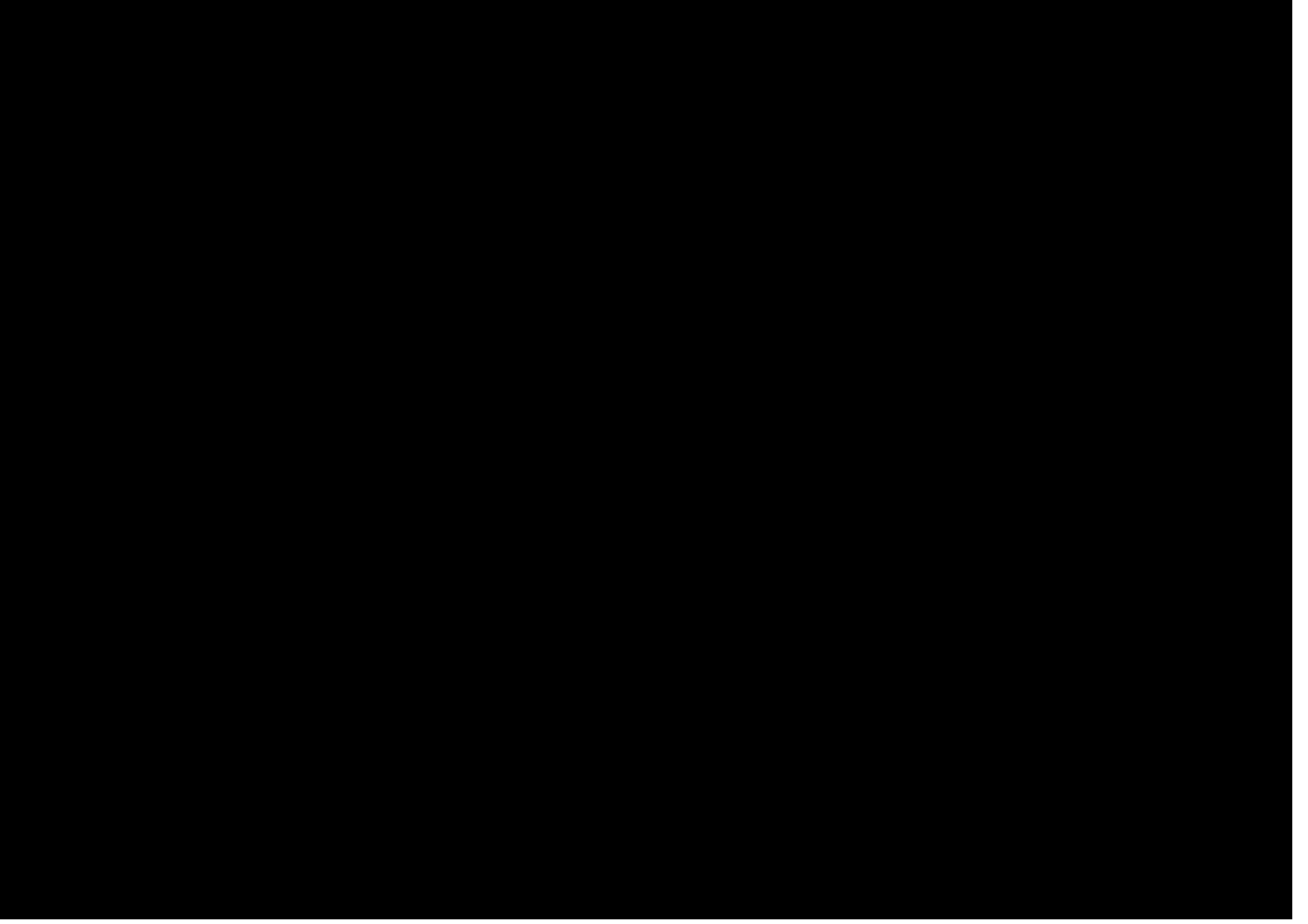
USIM

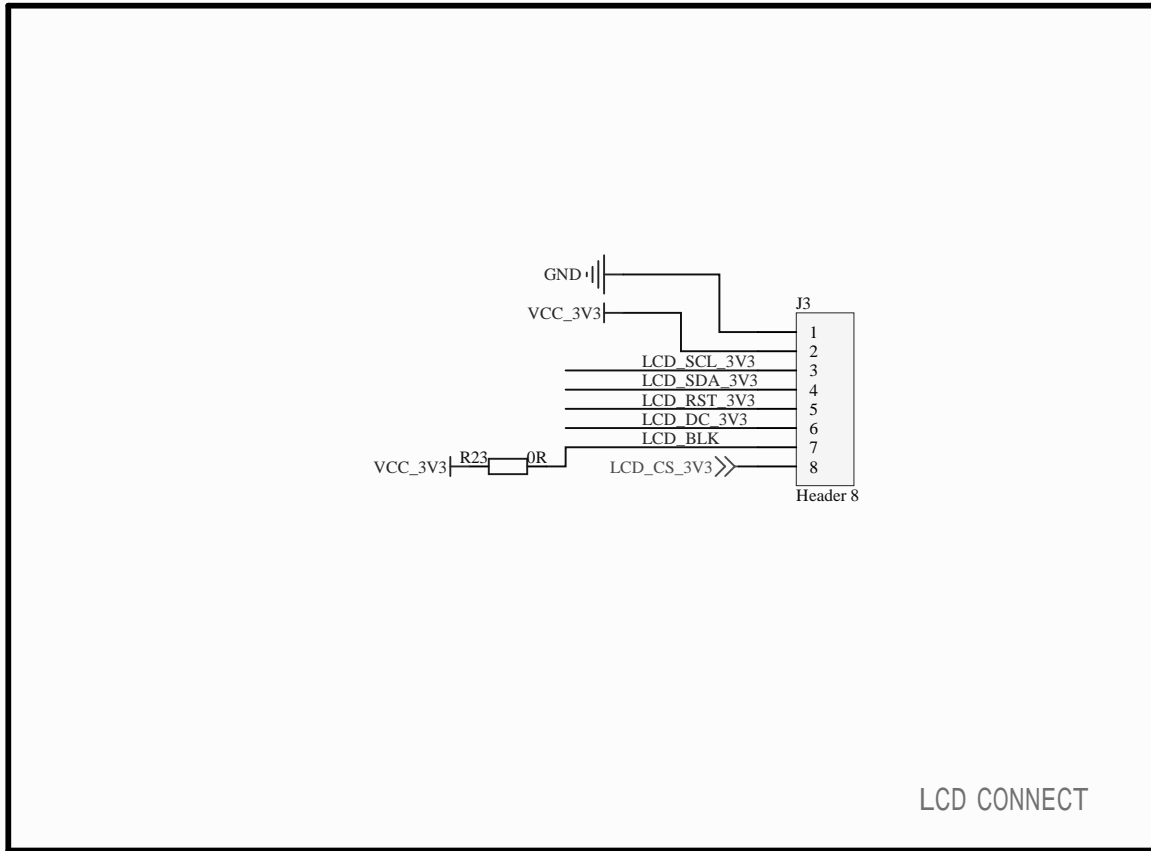
Title		
Size A4	Number	Revision
Date:	3-31-2023	Sheet of
File:	G:\...4.SIM-CARD.SchDoc	Drawn By:



AUDIO

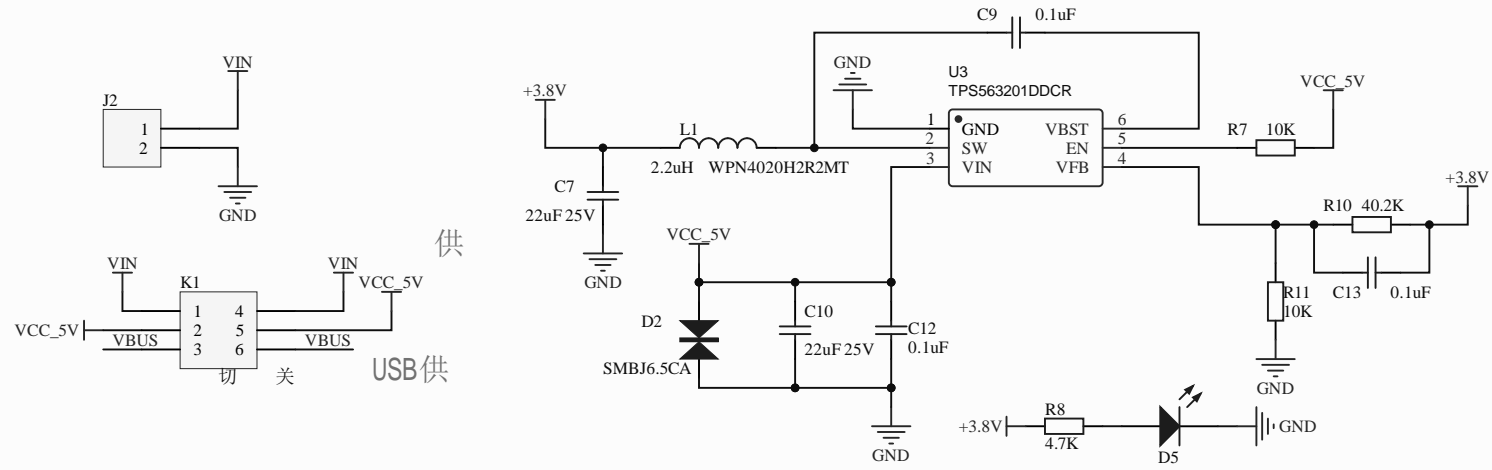
Title		
Size	Number	Revision
A4		
Date:	3-31-2023	Sheet of
File:	G:\...5.AUDIO.SchDoc	Drawn By:



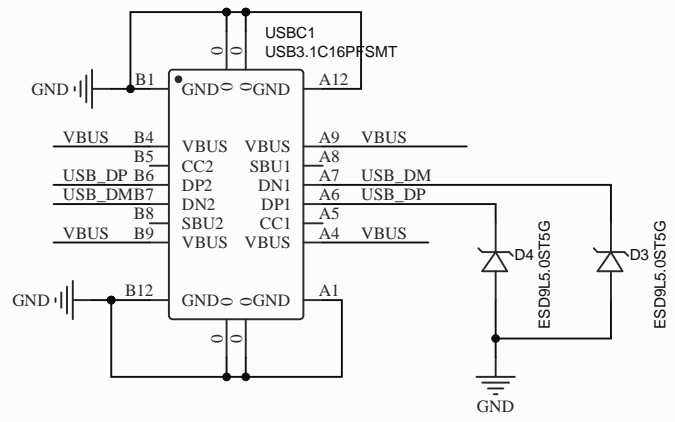
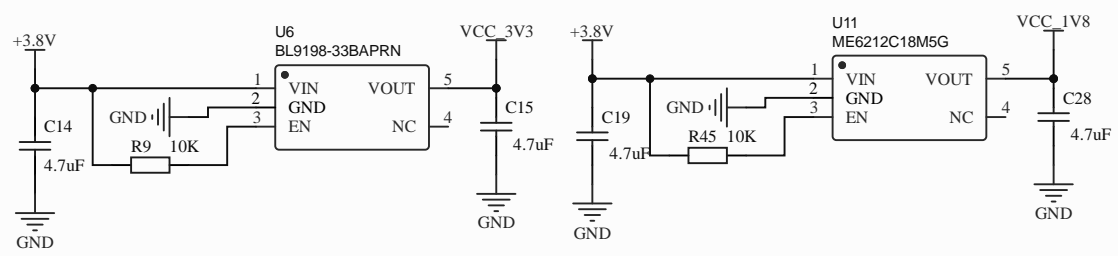


LCD CONNECT

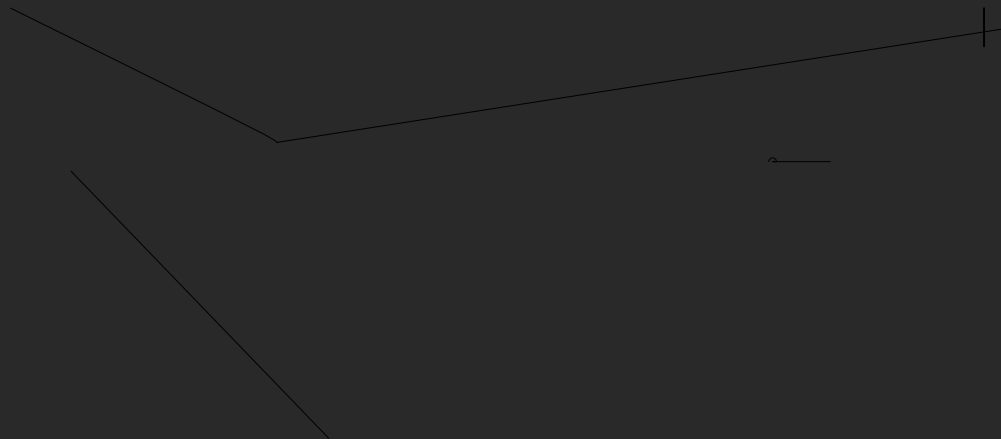
Title		
Size A4	Number	Revision
Date:	3-31-2023	Sheet of
File:	G:\...\7.LCM.SchDoc	Drawn By:

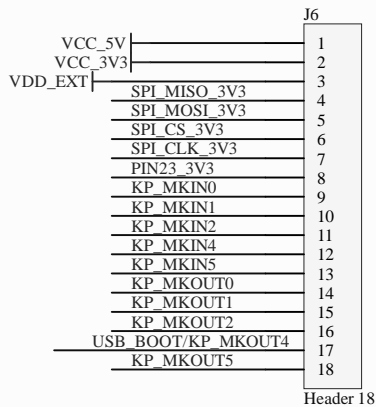
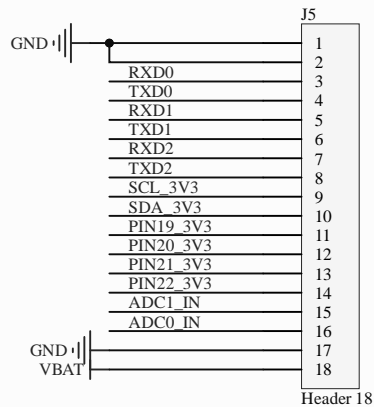
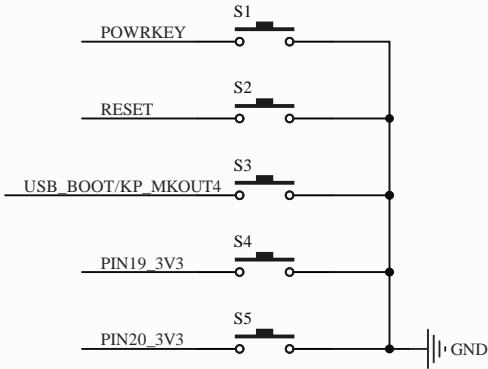
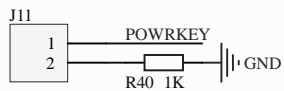
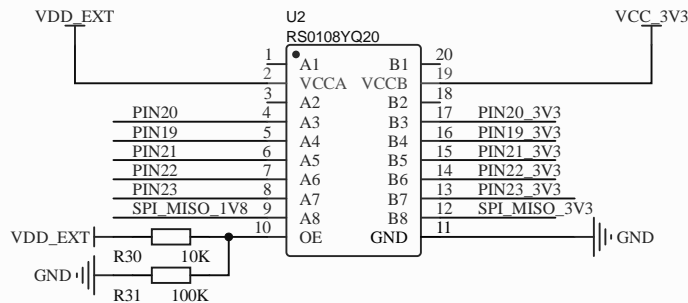
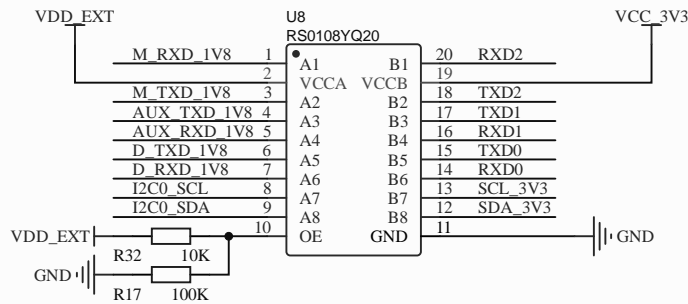
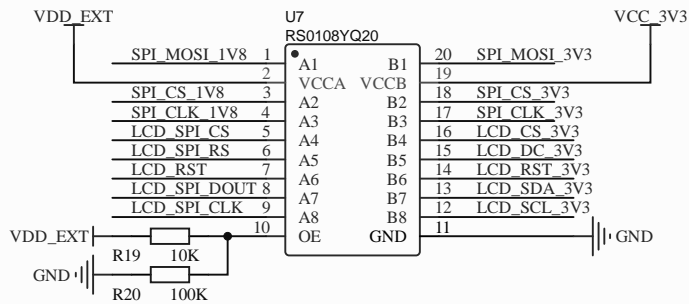


DCDC



type-C





GPIO

1

2

3

4

A

A

B

B

C

C

D

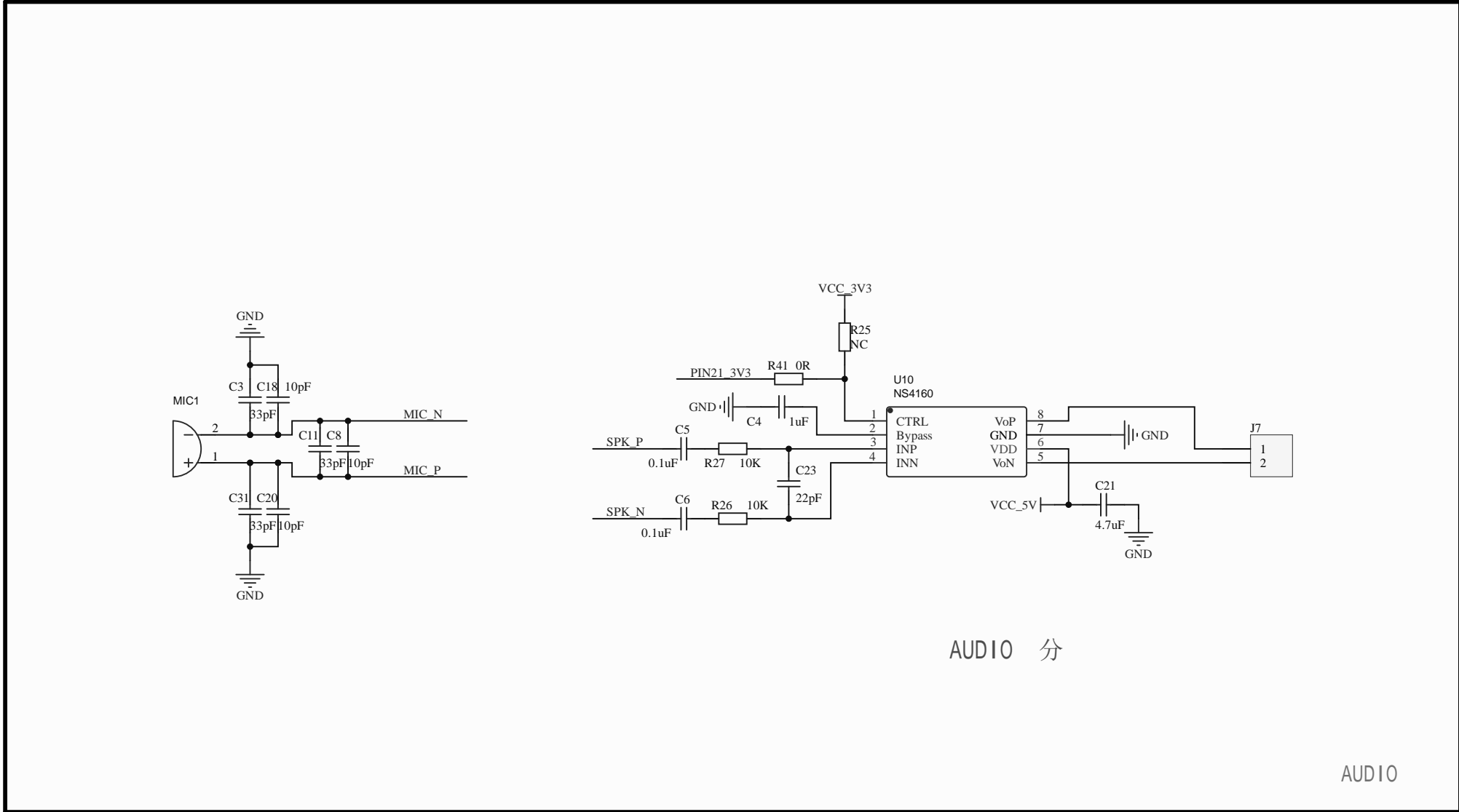
D

1

2

3

4



AUDIO 分

AUDIO

1

2

3

4

A

A

B

B

C

C

D

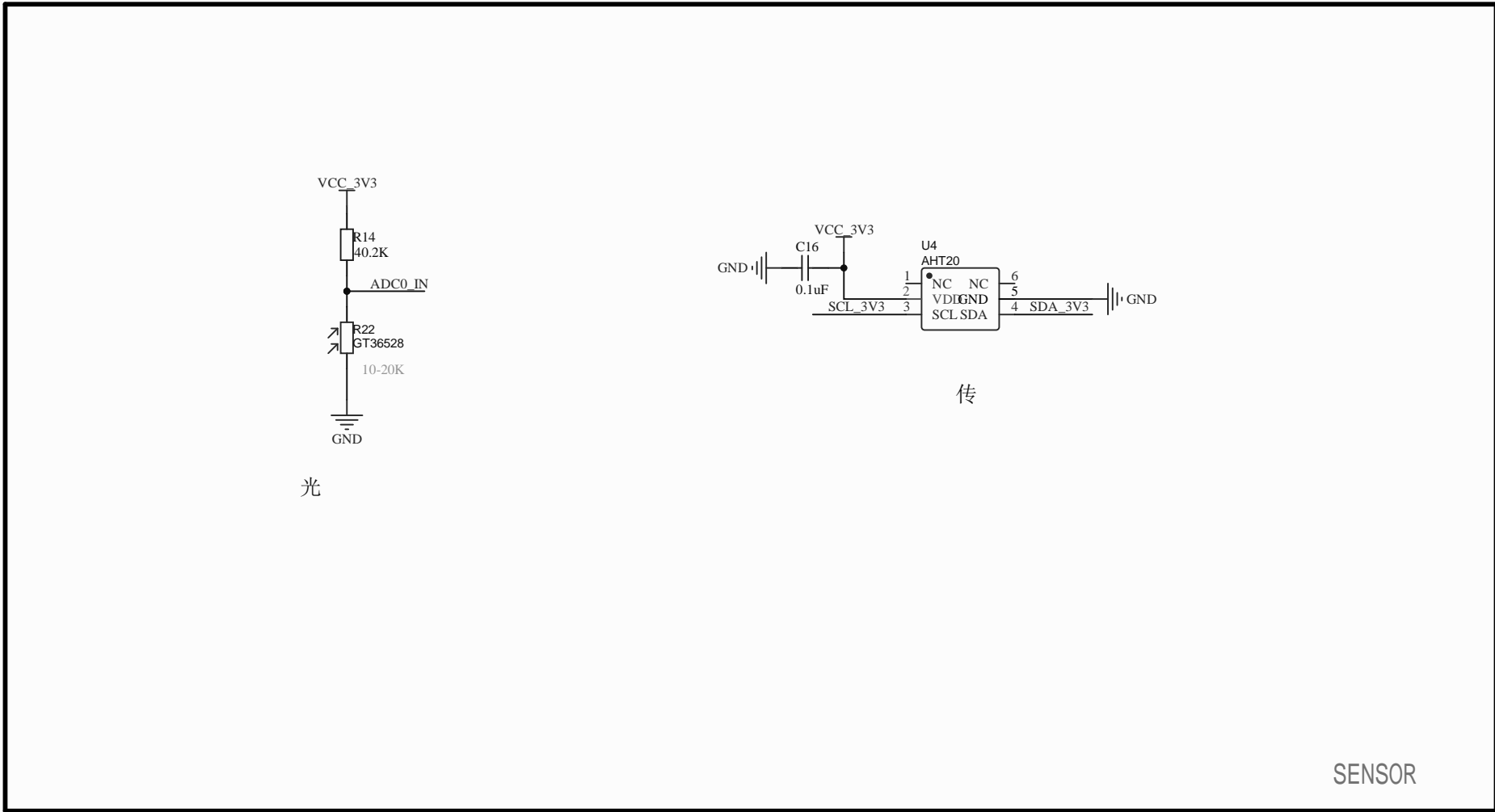
D

1

2

3

4



SENSOR

传

1

2

3

4

A

A

B

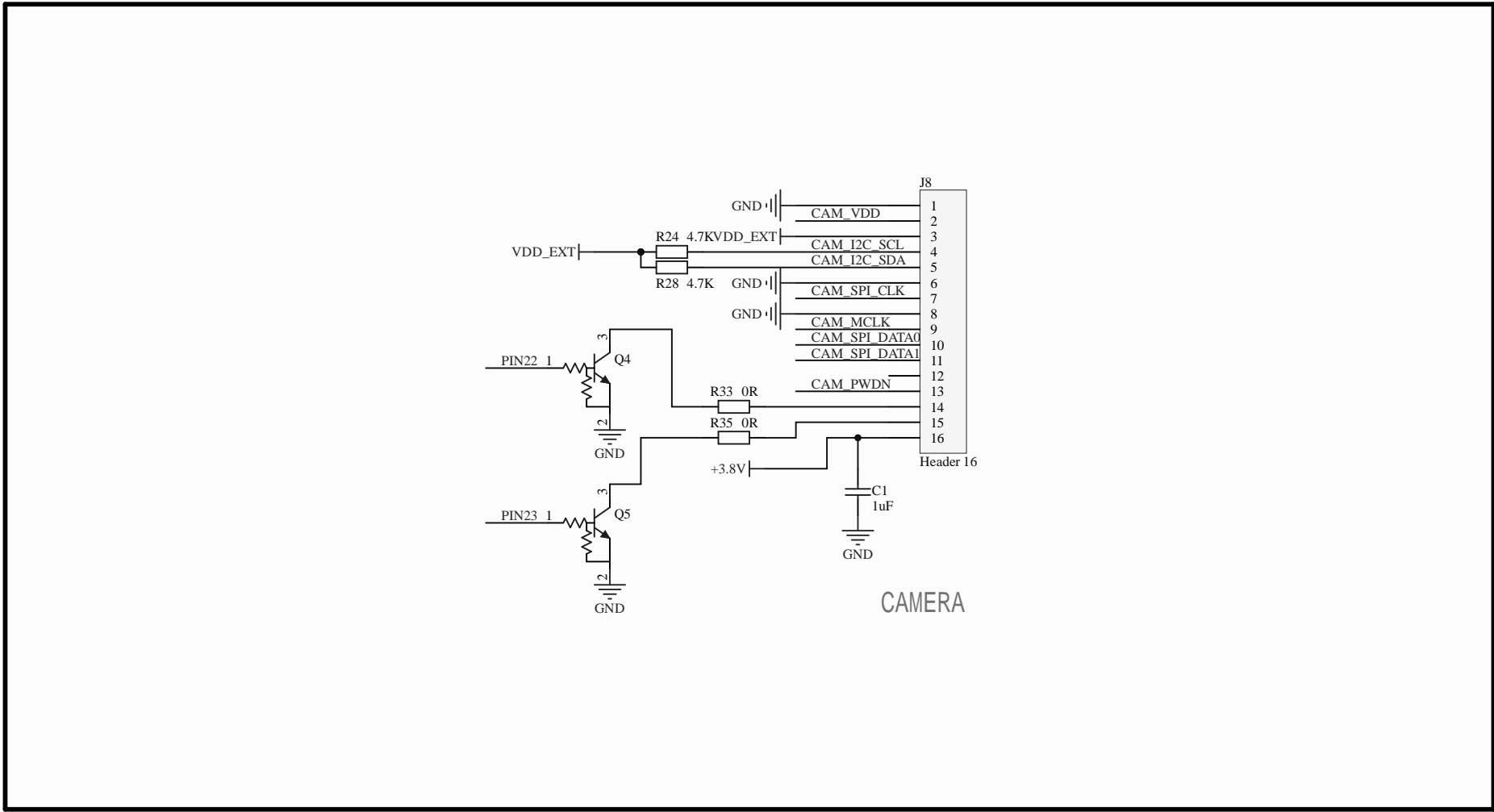
B

C

C

D

D



CAMERA

1

2

3

4

1

2

3

4

A

A

B

B

C

C

D

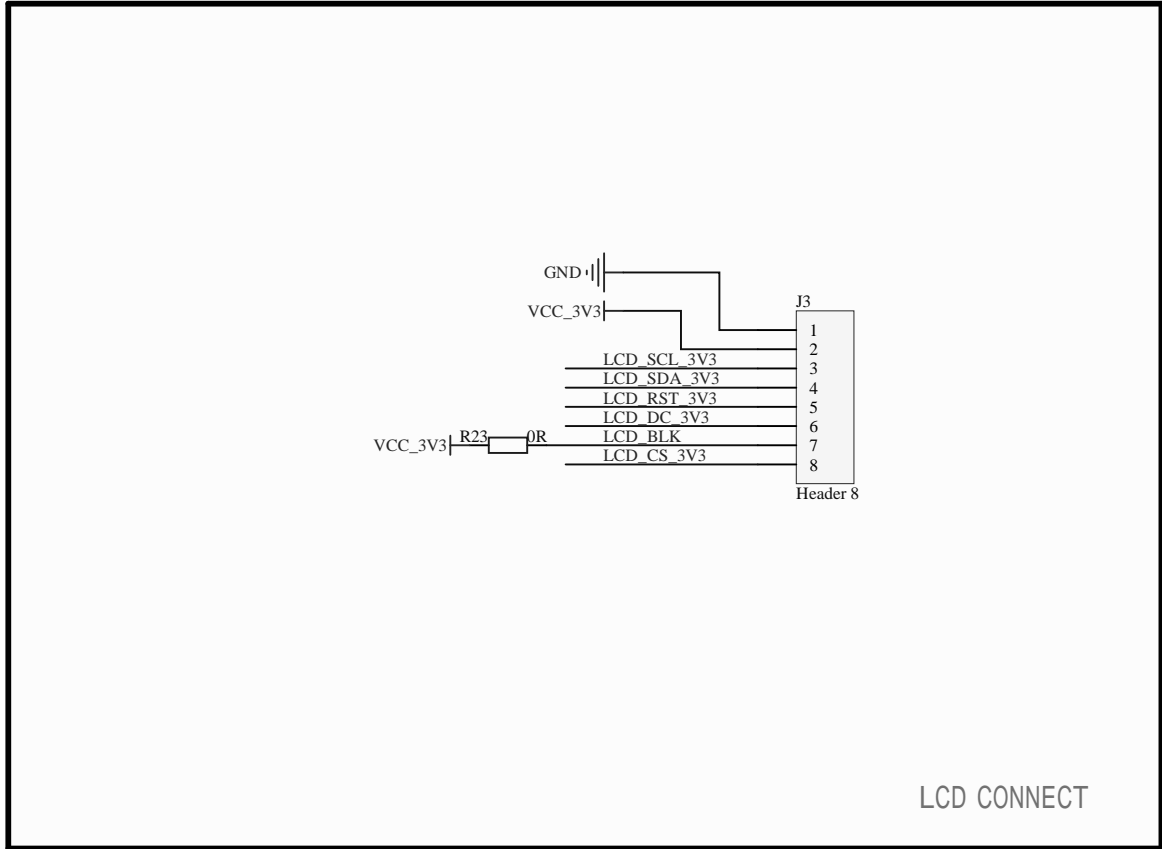
D

1

2

3

4



LCD CONNECT

1

2

3

4

A

A

B

B

C

C

D

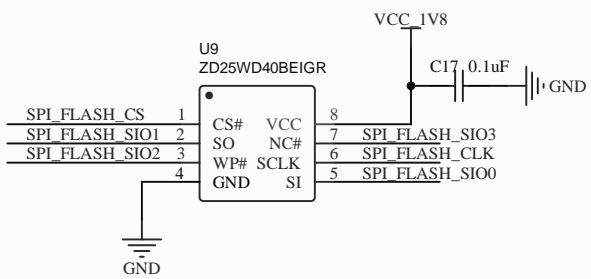
D

1

2

3

4



Flash